

'Standard' squib connectors

Ø10mm interface, right angled, with coil, capacitor, ultra flat design

Part-No.: CA252 XX XXX

Mating design:

- Ø10mm standard nozzle
- one step mating

Terminal system:

- one piece design
- selective gold plated
- two contact points

Termination technology:

- welding
- soldering

General:

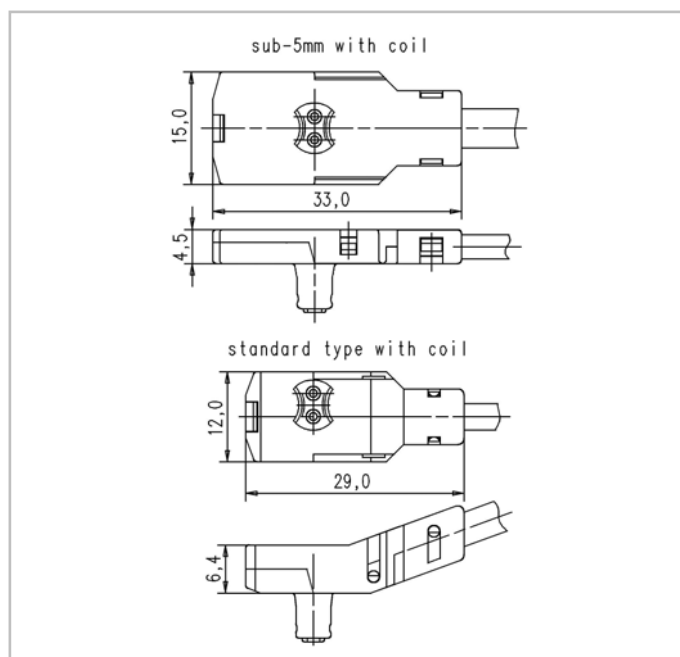
- supplied with different cable lengths
- single wire
- twisted wire
- jacketed cable
- different colours available
- AC or DC firing types available
- sub-5mm types available



Construction:

- housing material: PA
- contact material: CuSn
- accepted wire range: 0,35-0,5mm²
- RFI/EMI protection: coil stock, capacitor

Dimensional characteristics:



Performance characteristics:

- pull out force: 30...45N
- insertion force: 30...45N
- temperature range: -40°C to +90°C
- dielectric resistance: 1000V / DC

Connector interface :

- Ø10mm standard