

Straight coil squib connector

Ø11mm VDA-AK1 interface, 180°, one step mating, compact design

Part-No.: CA282B XXXX XXXX

Mating design:

- serviceable locking legs
- CPA (connector positioning assurance)
- one step mating
- scoop improved nozzle

Terminal system:

- O-type contact system
- one piece design
- selective gold plated
- two contact points

Termination technology:

- welding for coil termination
- welding for wire termination

General:

- supplied with different cable lengths
- single wire
- twisted wire
- jacketed cable



VW PN:4F0 971 613

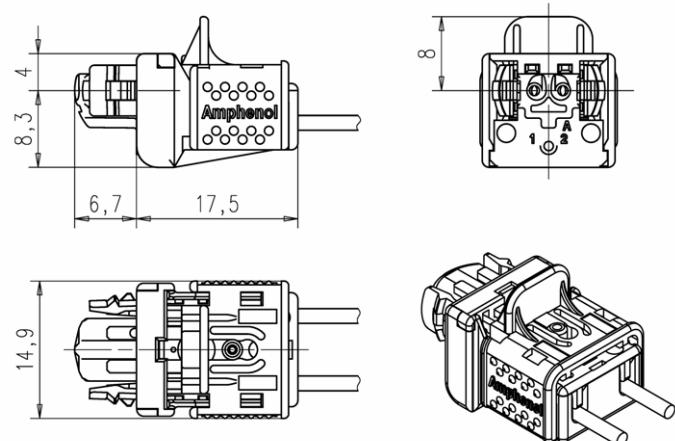
Construction:

- housing material: PBT
- contact material: CuSn
- accepted wire range: 0,35 - 0,8mm²
- RFI/EMI protection: coil stock

Performance characteristics:

- pull out force: > 160N
- insertion force: < 40N
- temperature range: -40°C to +90°C
- dielectric resistance: 1000V / DC

Dimensional characteristics:



Connector interface:

- Ø11mm VDA-AK1
- Ø11mm BNA
- code A (blue)
- B (green)
- C (orange)