

'Push-Button' ferrite squib connector (G2)

Ø11mm VDA-AK2 interface, right angled, one step mating

Part-No.: CA 288A XXXX 9XXX

Mating design:

- CPA(connector positioning assurance)
- one step mating
- kojiri safe

Terminal system:

- O-type contact system
- one piece design
- selective gold plated
- two contact points

Termination technology:

- welding for wire termination

General:

- supplied with different cable lengths
- single wire
- twisted wire
- jacketed cable



Construction:

- Housing material: PBT
- Contact material: CuSn
- accepted wire range: 0.5mm²
(other dimensions on request)
- RFI/EMI protection: ferrite

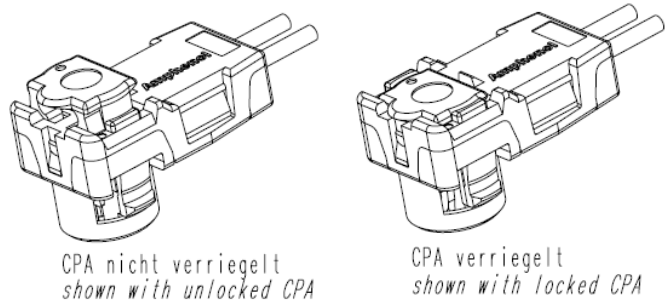
Performance characteristics:

- pull out force: >135N
- insertion force: <80N
- Temperature range: -40°C to +90°C
- dielectric resistance: 1000V / DC

Connector interface:

- Ø 11mm VDA-AK2
- Code 1 (black)
- Code 2 (light green)
- Code 3 (yellow)

3D Drawing:



VW P/N: 4M0 972 562 A/B/C/E