

# Retainer

## Ø10mm standard retainer with shorting clip

**Part-no.: C252 10B 02X XXX**

- retainer with integrated shorting clip (to be mounted into the Ø10mm ignitor)
- shorting clip selective gold plated at contact points
- connector mateable in two positions (180° reversed)
- different colours available



### Performance characteristics:

- temperature range: -40°C to +90°C

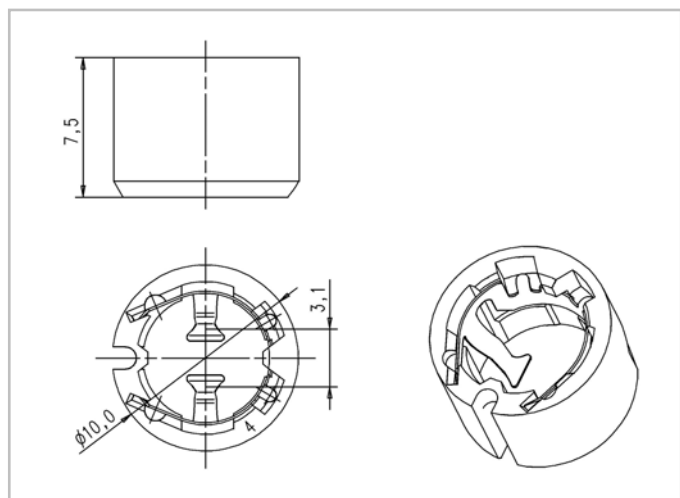
### Construction:

- housing material: PA
- contact material: CuBe

### Connector interface:

- Ø10mm standard

### Dimensional characteristics:



### 'Standard' squib connectors

Ø10mm interface, right angled, with coil, capacitor, ultra flat design

Part-No.: CA252 XX XXX

**Mating design:**

- Ø10mm standard nozzle
- one step mating

**Terminal system:**

- one piece design
- selective gold plated
- two contact points

**Termination technology:**

- welding
- soldering

**General:**

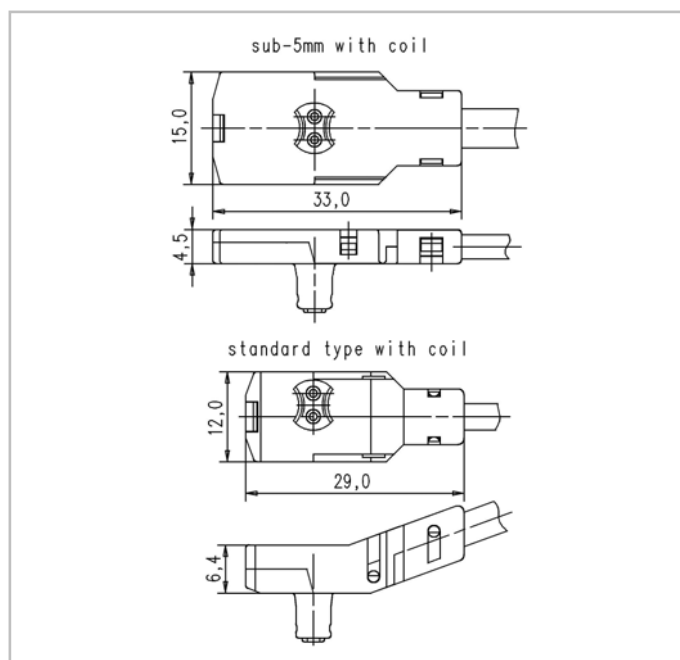
- supplied with different cable lengths
- single wire
- twisted wire
- jacketed cable
- different colours available
- AC or DC firing types available
- sub-5mm types available



**Construction:**

- housing material: PA
- contact material: CuSn
- accepted wire range: 0,35-0,5mm<sup>2</sup>
- RFI/EMI protection: coil stock, capacitor

**Dimensional characteristics:**



**Performance characteristics:**

- pull out force: 30...45N
- insertion force: 30...45N
- temperature range: -40°C to +90°C
- dielectric resistance: 1000V / DC

**Connector interface :**

- Ø10mm standard