

### HVPC 2 Poles Connector (90° & 180° )

High voltage, high current, 50/70/95mm<sup>2</sup> wire, metal shielded, HVIL

#### Part-No:

##### → Plug:

- HVEC2P25FVX50  
(50mm<sup>2</sup>, 15.2~15.8mm)
  - HVEC2P25FVX70  
(70mm<sup>2</sup>, 17.4~18.2mm)
  - HVEC2P25FVX95  
(95mm<sup>2</sup>, 20.1~20.9mm)
  - HVEC2P25FSX50  
(50mm<sup>2</sup>, 15.2~15.8mm )
  - HVEC2P25FSX70  
(70mm<sup>2</sup>, 17.4~18.2mm)
  - HVEC2P25FSX95  
(95mm<sup>2</sup>, 20.1~20.9mm)
- "X" indicates 1/2/5/6 (Code A/B/E/F)

##### → Socket:

- HVEC2P25MVXXX
- "X" indicates 1/2/5/6 (Code A/B/E/F)  
"XX" indicates: Busbar Type .

#### Mating design:

- Locking assurance by CPA

#### Terminal System:

- 2X25mm, Silver plated
- Wire size 50/70/95mm<sup>2</sup>, shielding
- HVIL contact system

#### Termination technology:

- Ultrasonic welding for power terminal
- Crimping for HVIL terminal

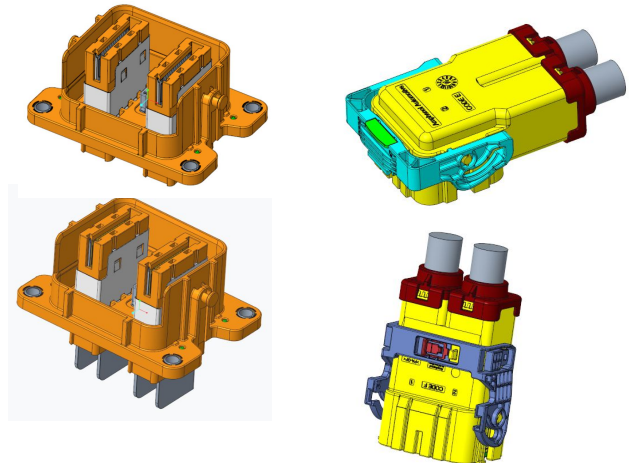
#### General:

- IP67, IP6K9K(Mated)
- IPXXB(unmated)
- HVIL
- 360° shielding

#### Performance characteristics:

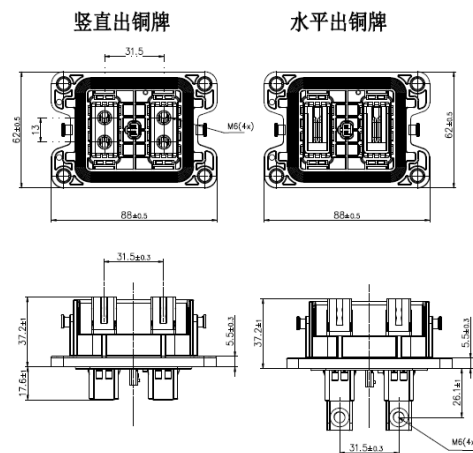
- Unmating force: ≤ 100N
- Temperature range: -40°C to +125°C
- Rated Voltage: 1000V / DC
- Mating cycles: ≥ 50min
- Rated Current(@85°C):
  - 50mm<sup>2</sup>=200A
  - 70mm<sup>2</sup>=300A
  - 95mm<sup>2</sup>=350A

Amphenol Automotive Connection Systems (Changzhou) Co., Ltd



#### Dimensional characteristics:

##### Socket:



##### Plug:

