

HVBC 3.6mm 1 poles connector (90°), shielding, crimping

Part-No. 料号:

→ Connector 线束端:

HVBC1P36FVX06XXN (6 mm², Φ4.5~5.0)

HVBC1P36FVX10XXN (10 mm², Φ5.9~6.5)

→ Header 模块端:

HVBC1P36MVX10XT (Busbar Termination)

HVBC1P36MVX10XN (Screw Termination)

Mating design 对配设计:

→ Button test lock 按钮式锁扣

Terminal system 端子系统:

→ 1x Ø 3.6 mm Radsok, silver plated 镀银

→ Wire size 导线型号

LV 216-1非屏蔽 6/10mm²

Material 材料:

→ Plastic Housing 塑料材料: PA-GF

→ Terminal 材料: Copper Alloy 铜合金

→ RoHS Compliant

→ Housing Flammability 壳体阻燃等级 UL94 V-0

Performance characteristics 性能特性:

→ Operation force 插拔力: ≤ 75N

→ Temp. Range 温度区间: -40°C to +125°C

→ Rated Voltage 工作电压: 1500V DC

→ Withstand Voltage 耐压: 4800VDC, 1Min

→ Resistance 绝缘电阻: ≥200MΩ, 1kVDC

→ Mating Cycles 插拔次数: ≥100

→ Current Capacity 电流能力(@85°C):

6mm²=50A / 10mm²=70A

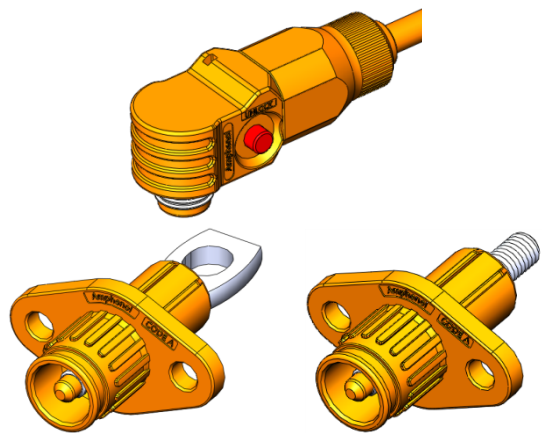
→ IP67, IP6K9K, IPXXD(mated 配合情况下),

→ IPXXB (separated 分离情况下)

→ Coding: A/B/C/U/V/W

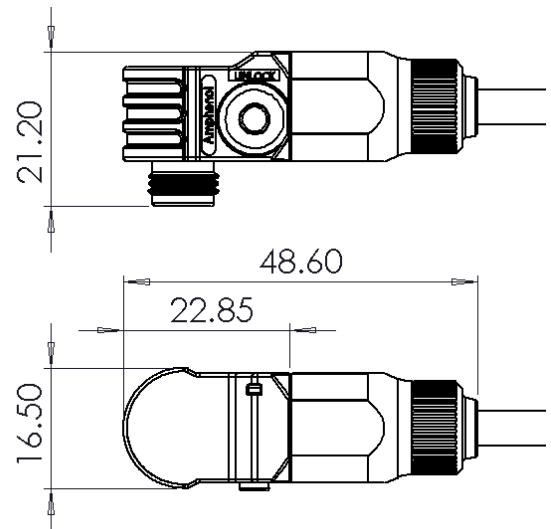
→ Panel Recommended Torque 推荐扭矩:

M4: 1.3~1.8Nm / M5: 4~4.5Nm / M6: 8~9Nm



Dimensional characteristics:

Plug 插头:



Socket 插座:

